

groov▶▶e

GV-PS210 PERSONAL CD PLAYER with Radio



INSTRUCTION MANUAL

RETRO

Personal CD Player
with Radio



30 Day Right To Return

We do not envisage any problems occurring with your Groov-e GV-PS210 Personal CD Player. However, for your peace of mind, should any fault occur, please return it within 30 days to your retailer with your proof of purchase for an exchange or refund.



12 Month Guarantee

This product is guaranteed for twelve months. Please retain your receipt as this will be required as proof of purchase. In the event that the device does not perform as expected then please contact your original point of purchase, should you require further assistance then please contact us.



Contact Us

*Reach out to us at **info@groov-e.co.uk** or visit **www.groov-e.co.uk***

“Congratulations on your purchase and Thank You for choosing the Groov-e GV-PS210 Personal CD Player with Radio. Please read the guide carefully before using.”

SAFETY INSTRUCTIONS

- 1. Avoid extended play at high volume as it may impair your hearing.*
- 2. If you experience ringing in your ears, reduce the volume or turn off the CD player.*
- 3. Do not use earphones while driving.*
- 4. **WATER AND MOISTURE** - The appliance should not be used near water.*
- 5. **HEAT** - The appliance should be situated away from heat sources such as radiators, stoves, or other appliances (including amplifiers) that produce heat.*
- 6. **POWER SOURCE** - The appliance should be connected to a power supply only of the type described in the operating instructions or as marked on the appliance.*
- 7. **OBJECT and LIQUID ENTRY** - Care should be taken so that objects do not fall, and liquids are not spilled into the enclosure through the openings.*

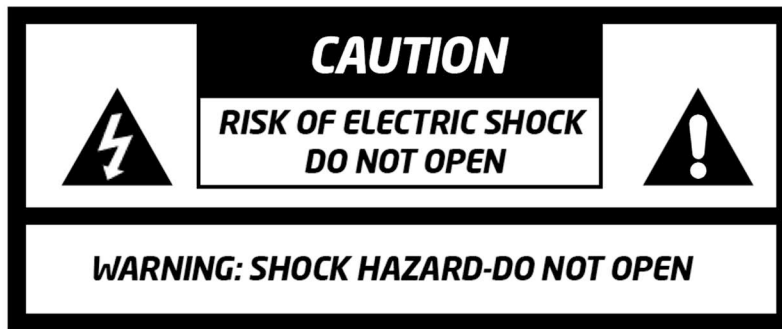
***BEFORE OPERATION**- Please take care as dirty, damaged or warped CD's may damage the appliance, care should be taken and only use CD's with the marks shown below.*



To prevent possible hearing damage, do not listen at high volume levels for long periods.

WARNING!

TO PREVENT FIRE OR SHOCK HAZARD DO NOT EXPOSE THIS APPLIANCE TO RAIN OR MOISTURE



LIGHTNING FLASH WITH ARROWHEAD SYMBOL

within an equilateral triangle, is intended to alert the user to the presence of uninsulated dangerous voltage within the products enclosure that may be of sufficient magnitude to constitute a risk of electric shock to persons.



EXCLAMATION POINT

within an equilateral triangle, is used to indicate that a specific component shall be replaced only by the component specified in that documentation for safety reason.

**The following label has been affixed to the unit,
listing the proper procedure for working with the laser beam:**



CLASS 1 LASER PRODUCT LABEL

This label is attached to the place as illustrated to inform that the apparatus contains a laser component.



WARNING LABEL INFORMING OF RADIATION -

This label is placed inside the unit. As shown in the illustration. To warn against further measures on the unit. The equipment contains a laser radiating laser rays according to the limit of laser product of class 1.

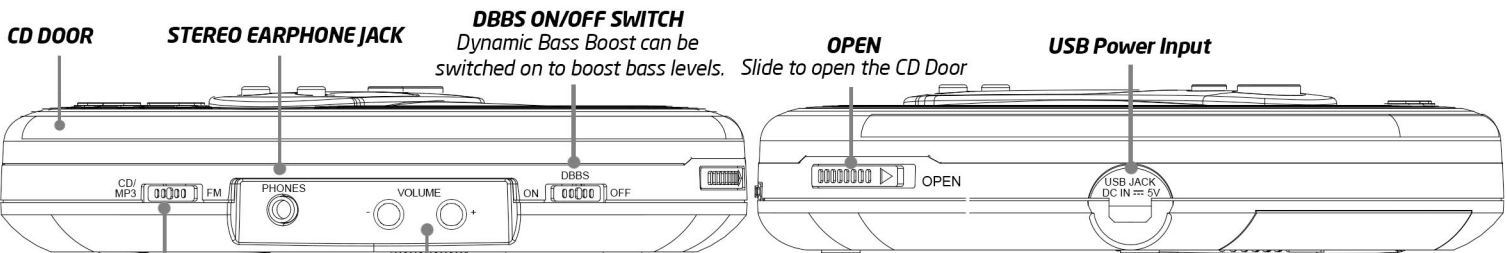
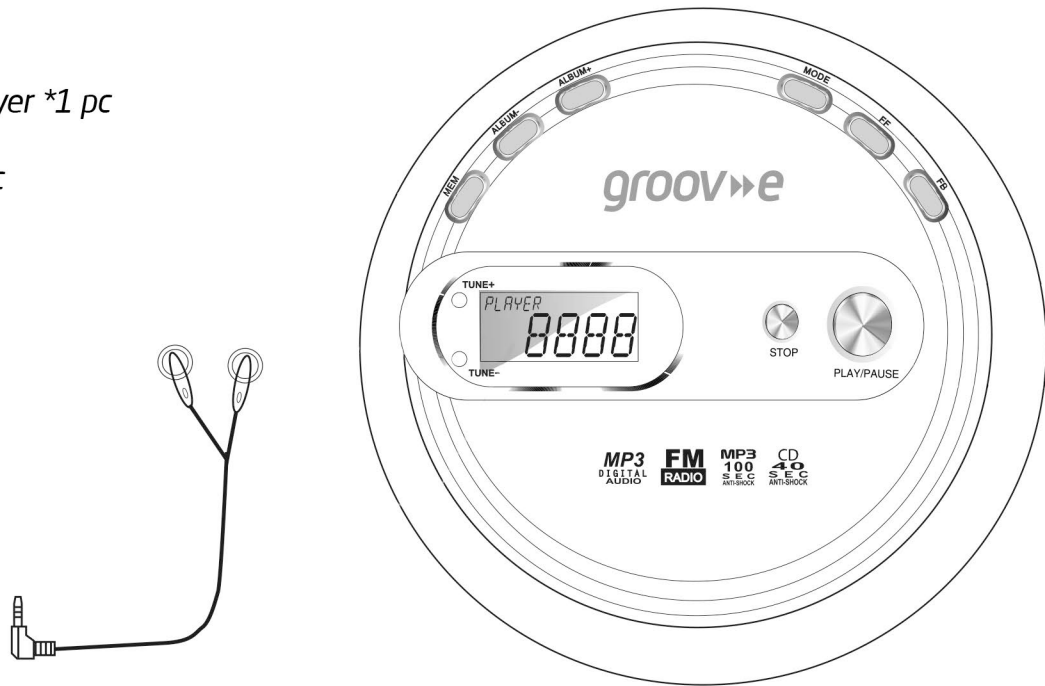


This equipment is a Class II or double insulated electrical appliance, it does not require a safety connection to electrical earth.

OVERVIEW

Box Contents:

- GV-PS210 CD Player *1 pc
- Earphones *1 pc
- User Manual *1 pc



CD DOOR

STEREO EARPHONE JACK

DBBS ON/OFF SWITCH

Dynamic Bass Boost can be switched on to boost bass levels. Slide to open the CD Door

OPEN

USB Power Input

CD/MP3/OFF/FM RADIO

Adjust to switch between MP3/CD and FM Radio and turn off

VOLUME-/VOLUME+

MODE

Press to repeat a single track or an entire CD, play tracks in a random order.

ALBUM-/ALBUM+
Press **ALBUM+** forward in file base
Press **ALBUM-** previous in file base

MEM
In FM radio mode, select FM station, hold and choose memory position, press it to save the station. Press it to preset the memory station.

TUNING
In FM radio mode, press to adjust the radio station. Press and hold to search for the next available station.

LCD Display

SKIP/SEARCH

In CD mode, press to skip between tracks on a loaded CD. Press and hold to search an individual track on a loaded CD.

STOP

Press to stop a loaded CD during play.

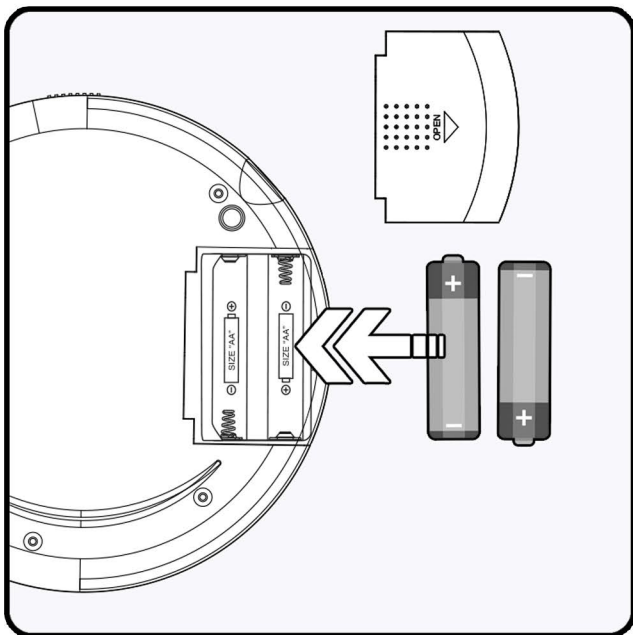
PLAY/PAUSE

Press to play or pause loaded disc (MP3 or CD).

OPERATION

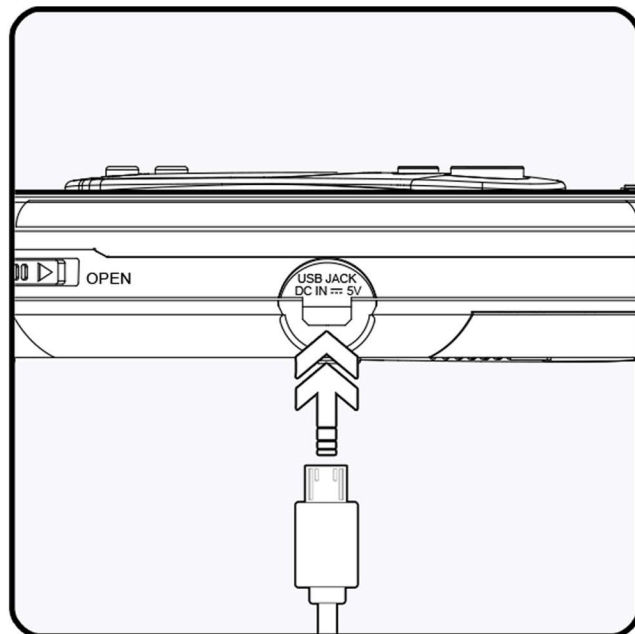
Battery Power

Requires 2 x AA size batteries (not included).



USB Power DC 5V === 700mA

Requires a micro USB cable (not included)



CD

Loading and Playing a MP3 or CD

1. Slide the **OPEN** switch to open the **CD DOOR**.
2. Load a CD into the player, label side up.
3. Close the **CD DOOR**.
4. Adjust the **CD/MP3/FM** switch to **CD/MP3**.
5. Press the **PLAY/PAUSE** Button.

Programming a CD

1. Press the **STOP** button to stop the MP3/CD during play.
2. Press the **MODE** button.
3. Press the **FF** or **FB** buttons to select the track you wish to program.
4. Press the **MODE** button to save the selected track to the program.
5. Repeat steps 3 and 4 to program up to 20 tracks for CDs/99 tracks for MP3 to play in the order they are programmed.
6. Press the **PLAY/PAUSE** button to begin playing the programmed tracks.
7. To cancel programmed playback, press the **STOP** button.

Bookmark Function

1. To bookmark the music, press the **STOP** button twice.
2. To continue, press the **PLAY/PAUSE** button and the music will continue from where it was stopped.
3. To release bookmark, open the **CD DOOR**.

RADIO

Tuning the FM Radio

1. Adjust the **CD/MP3/FM** switch to **FM**.
 2. The Radio indicator will display a light when in Radio mode.
 3. Press the **TUNING** buttons to search for the next available station.
 4. Press and hold the **TUNING** buttons to search for the next available station.
 5. The station frequency will show on the display.
- Note: To improve radio reception, fully extend the headphone cord.**

FM Radio Memory

1. In FM Radio mode select an FM station
2. Press **MEM** button for 1 second and then press the Tuning button to set the storage location i.e. "P01" (Press Tuning + or Tuning - to change the storage location)
3. Press **MEM** again to save.
4. Repeat steps 1,2 and 3 to save up to 40 stations.
5. To play a stored station press the **MEM** button and select the radio station from its stored location.

SPECIFICATIONS

- *Anti-Skip Protection: 40s for CD/100s for MP3*
- *Digital FM radio (PLL)*
- *Radio frequency Memory*
- *Repeat 1 or ALL play*
- *Random play and Intro play*
- *Forward and previous in MP3 file base*
- *Analogue volume control*
- *Programmable tracks*
- *LCD Display*
- *Low battery indicator*
- *DBBS-Dynamic bass boost switch*
- *Stereo earphones jack*
- *DC battery power requires 2 x AA batteries (not included).*
- *USB Power input*
- *Bookmark Function*



*Compact Disc
Player*



*Anti-Skip
Protection*



*CD-R/CD-RW/MP3
Playback*



*FM
Radio*



*20-Tracks
Programmable
Memory*



*Earphones
Included*



*Micro-USB or
Battery Operated*

ENVIRONMENT PROTECTION

Waste electrical products should not be disposed of with household waste. Please recycle where facilities exist. Check with your local Authority or retailer for recycling advice.



Guarantee

Subject to the conditions stated below, Groov-e guarantees this equipment against defects in workmanship or materials of its mechanical and electronic component parts (excluding styling, battery cells, magnetic tapes, re-chargeable batteries, user removeable memory devices, with the exception where the battery is inbuilt into the product) for a period of one year from the date of purchase. This product will be repaired or if necessary replaced free of charge if it has been proven to be defective within the one year warranty period.

Guarantee

- 1)** Claims under this guarantee should be made through the authorised dealer/retailer from whom the equipment was purchased. If this is not possible, please contact Groov-e directly.
- 2)** This guarantee is only valid when the equipment is purchased and retained within the United Kingdom and a valid proof of purchase has been provided.
- 3)** This guarantee excludes:
 - (i)** All damage caused through accident, misuse, wear and tear, neglect, installation and/or use in a manner inconsistent with technical and safety standards in a country other than the country of purchase
 - (ii)** Alterations or adjustments made to equipment
 - (iii)** Loss of data resultant from malfunction of hard drive or other storage device
 - (iv)** Damage caused to any third party device as a result of using the product
- 4)** No liability under this guarantee shall be incurred:
 - (i)** In respect of damage or loss occurring during transit to or from the purchaser
 - (ii)** Where the serial number plate of the equipment has been removed or altered in any way.
- 5)** Groov-e shall not be liable for consequential damage, loss or injury arising from or in connection with the equipment, excepting only that nothing in this condition shall or shall be construed so as to exclude or restrict liability for negligence.
- 6)** The cost of carriage to and from Groov-e shall be borne by the purchaser.
- 7)** This guarantee is personal to the original purchaser and is not transferable.
- 8)** If the equipment, in respect of which a claim hereunder is made, is found on examination to comply with the published specifications, a test fee may be incurred.

This guarantee is in addition to and does not in any way affect any statutory or other right of consumer purchasers, including those rights in relation to sections 13 to 15 of the Sale of Goods Act 1979, the Sale and Supply of Goods to Consumer Regulations 2002, The Consumer Rights Act 2015 or the Sale of Goods and Supply of Services Act 1980 (for ROI).

Declaration of Conformance

Groov-e hereby declares that this product is in compliance with the essential requirements and other relevant provisions of the Radio Equipment Directive 2014/53/EU. The complete declaration of conformity can be requested from us at:

groov»e
Unit J
Braintree Industrial Estate
Braintree Road
Ruislip
Middlesex
HA4 0EJ UK

www.groov-e.co.uk

Email: info@groov-e.co.uk

Telephone: 020 8845 7704