

groov>e

GV-PS733 ORIGINAL BOOMBOX PORTABLE CD PLAYER WITH AM/FM RADIO



INSTRUCTION MANUAL





30 Day Right To Return

We do not envisage any problems occurring with your Groov-e GV-PS733. However, for your peace of mind, should any fault occur, please return it within 30 days to your retailer with proof of purchase for an exchange or refund.



12 Month Guarantee

This product is guaranteed for twelve months. Please retain your receipt as this will be required as proof of purchase in the event that the device does not perform as expected then please contact your original point of purchase, should you require further assistance then please contact us.



Extended Warranty

Please register your product within 30 days from date of purchase

www.groov-e.co.uk/warranty

Proof of purchase required.



Contact Us

*Reach out to us at **info@groov-e.co.uk** or visit **www.groov-e.co.uk***

“Congratulations on your purchase and Thank You for choosing the Groov-e GV-PS733 Original Boombox. Please read the guide carefully before using.”

SAFETY INSTRUCTIONS

1. READ INSTRUCTIONS - All the safety and operating instructions should be read before the appliance is operated.

2. WATER AND MOISTURE - The appliance should not be used near water.

3. VENTILATION - The appliance should be situated so that its location or position does not interfere with its proper ventilation. that may impede the flow of air through the ventilation openings.

4. HEAT - The appliance should be situated away from heat sources such as radiators, stoves, or other appliances (including amplifiers) that produce heat.

5. POWER SOURCE - The appliance should be connected to a power supply only of the type described in the operating instructions or as marked on the appliance.

6. POWER CORD PROTECTION - Power supply cords should be routed so that they are not likely to be walked on or pinched by items placed upon or against them.

7. POWER LINES - The outdoor antenna should be located away from power lines.

8. OBJECT and LIQUID ENTRY - Care should be taken so that objects do not fall, and liquids are not spilled into the enclosure through the openings.

9. ESD WARNING - If the display does not function properly or there is no reaction to any of the controls, this may be due to electrostatic discharge. Switch off and unplug the set. Reconnect after a few seconds.

10. DAMAGE REQUIRING SERVICE - The appliance should only be serviced by qualified service personnel when:

- a. The power-supply cord or plug has been damaged.
- b. Objects have fallen into, or liquid has been spilled into the appliance enclosure.
- c. The appliance has been exposed to rain.
- d. The appliance has been dropped, or the enclosure damaged.
- e. The appliance does not appear to operate normally.

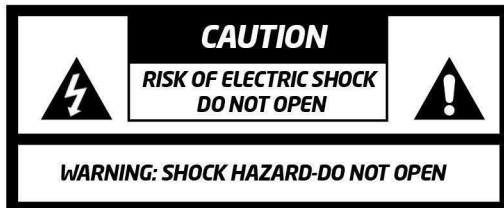
11. SERVICING- If an error display or malfunction occurs switch the appliance off and disconnect the power cord or remove the batteries and then reconnect to your power source and switch the appliance back on.

BEFORE OPERATION- Please take care as dirty, damaged or warped CD's may damage the appliance, care should be taken and only use CD's with the marks shown below



WARNING!

TO PREVENT FIRE OR SHOCK HAZARD DO NOT EXPOSE THIS APPLIANCE TO RAIN OR MOISTURE



LIGHTNING FLASH WITH ARROWHEAD SYMBOL

within an equilateral triangle, is intended to alert the user to the presence of uninsulated dangerous voltage within the products enclosure that may be of sufficient magnitude to constitute a risk of electric shock to persons.



EXCLAMATION POINT

within an equilateral triangle, is used to indicate that a specific component shall be replaced only by the component specified in that documentation for safety reason.

The following label has been affixed to the unit, listing the proper procedure for working with the laser beam:



CLASS 1 LASER PRODUCT LABEL

This label is attached to the place as illustrated to inform that the apparatus contains a laser component.



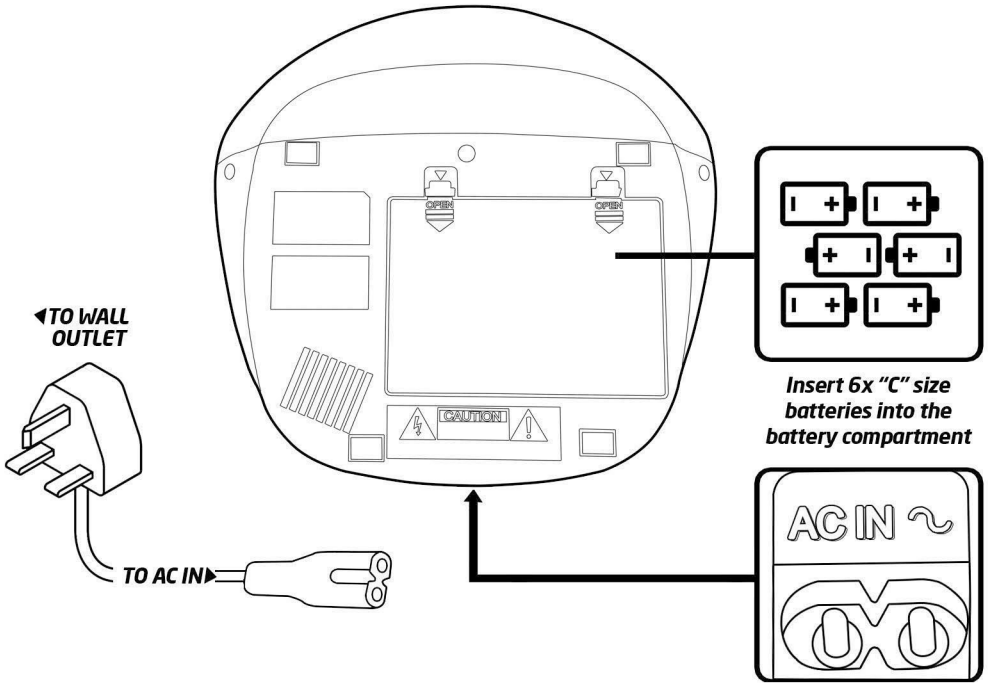
WARNING LABEL INFORMING OF RADIATION -

This label is placed inside the unit. As shown in the illustration. To warn against further measures on the unit. The equipment contains a laser radiating laser rays according to the limit of laser product of class 1.



This equipment is a Class II or double insulated electrical appliance, it does not require a safety connection to electrical earth.

POWER SOURCE



AC POWER

You can power your portable system by plugging the detachable AC power cord into the AC inlet at the back of the unit and into a wall AC power outlet. Check that the rated voltage of your appliance matches your local voltage. Make sure that the AC power cord is fully inserted into the appliance.

Power Source AC: 230V- 240V / 50 Hz DC: 9V

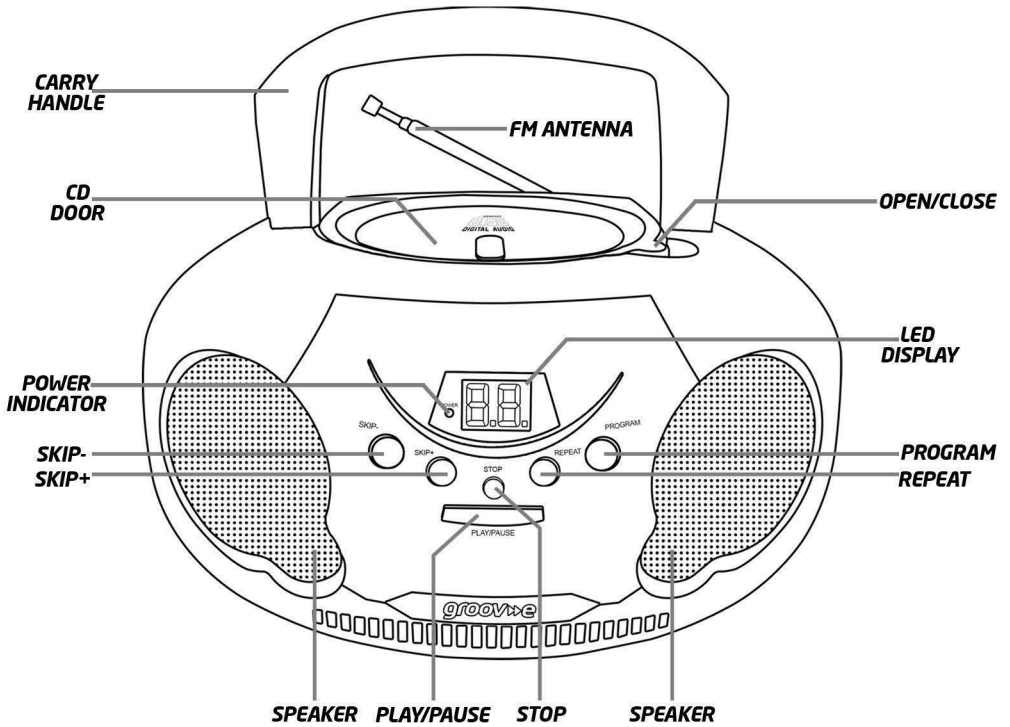
Batteries: 6x1.5V "C" Size (UM-2/LR14) (Optional, not supplied)

BATTERY POWER

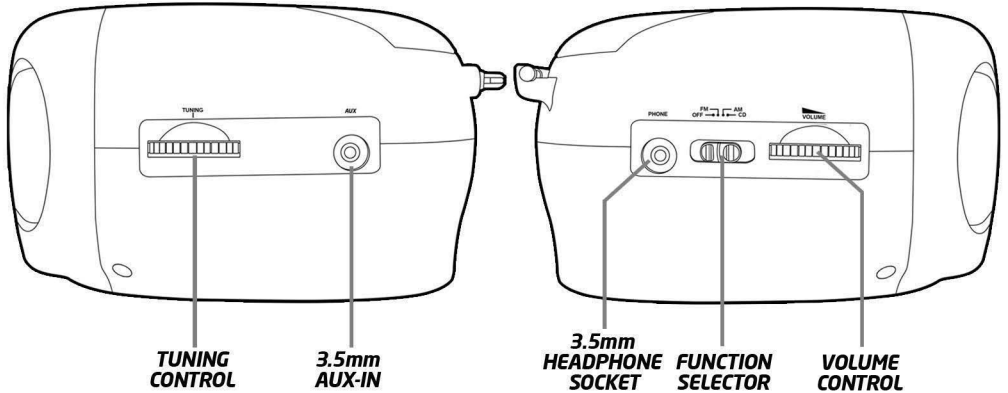
Insert 6 x "C" size batteries into the battery compartment. Be sure that the batteries are inserted correctly to avoid damage to the appliance. Always remove the batteries when the appliance will not be used for a long period of time, as this will cause leakage from the batteries and subsequent damage to your appliance.

Notes: - Use batteries of the same type. Never use different types of batteries together. - To use the appliance with batteries, disconnect the AC power cord from it.

OVERVIEW



CONTROL LOCATIONS



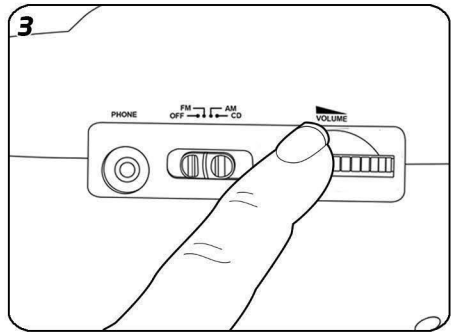
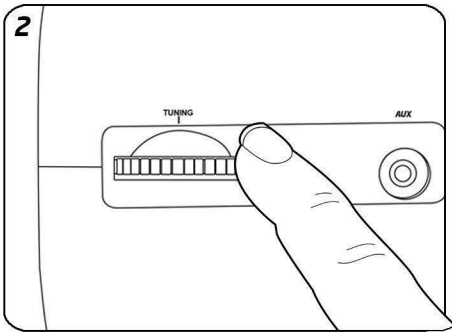
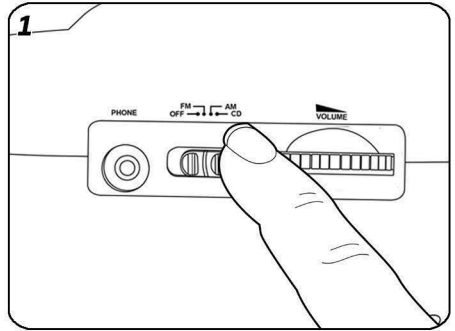
RADIO OPERATION

GENERAL OPERATION

1 Select the radio band by using the "FUNCTION" selector.

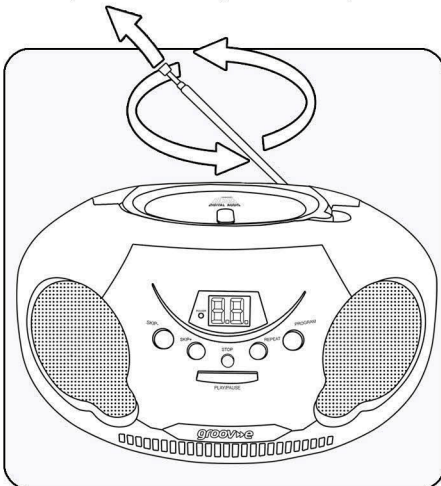
2 Adjust the radio frequency to your desired station by using the "TUNING" control.

3 Adjust the "VOLUME" control to the preferred level.

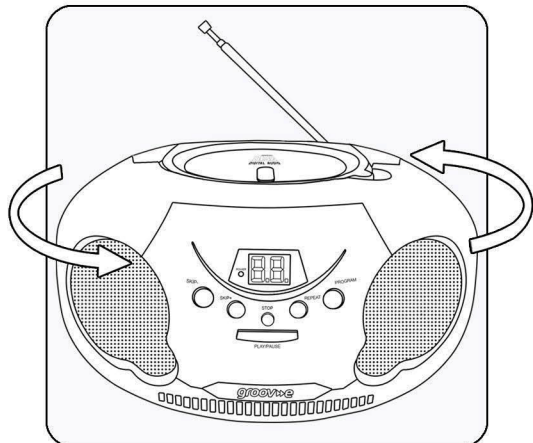


FOR BETTER RECEPTION

Adjust the antenna for better reception.



Adjust the position of the boombox for better AM reception.



CD OPERATION

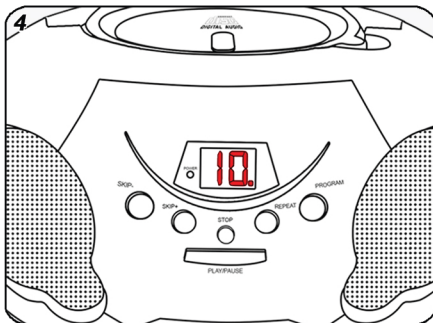
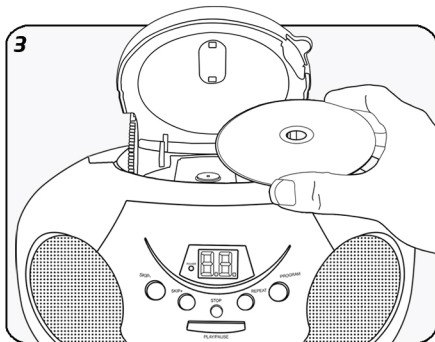
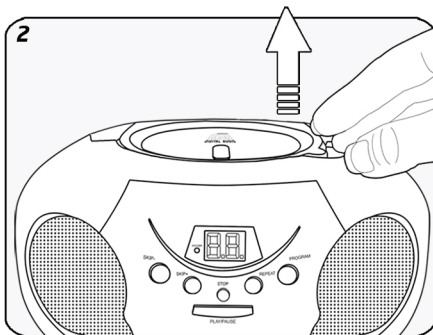
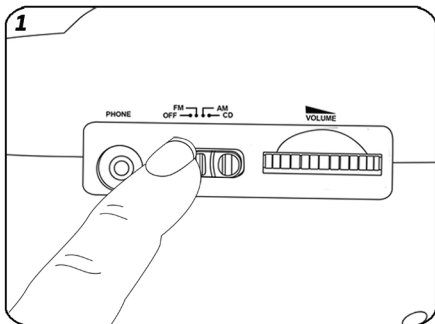
Note: Please make sure that you remove the cardboard shipping protector from within the CD compartment before you try to use CD player.

PLAY A CD

CD/CD-R/CD-RW Compatible.

Note: It is not possible to play DVD's or MP3 CD's.

1. Set the "FUNCTION" selector to "CD" mode.
2. Lift the lid of the CD player on the front edge, where there is a scooped recess.
3. Place an audio CD, label side up, into the CD compartment. Please ensure that you line up the hole in the center of the CD, with the central spindle and press down into place. Then close the lid of the CD player.
4. A focus search is performed if a disc is inside. The total number of tracks is read and appears in the display.



CD CONTROLS

You can use the following controls on your Boombox in CD mode.

- **Play** Press the "PLAY/PAUSE" button to start playing a CD
- **Pause** Press the "PLAY/PAUSE" button to stop playing a CD temporarily. Press again to resume playing.
- **Next track:** Press the "SKIP+" button to go to the next track
- **Previous track:** Press the "SKIP-" button to go back to the previous track
- **Stop** Press the "STOP" button to stop all CD operation.
- **Volume** Adjust the "VOLUME" control to the desired level

Note: Do not press the CD tray from the middle to remove a CD as this could damage the mechanism.

AUTOMATIC STANDBY MODE

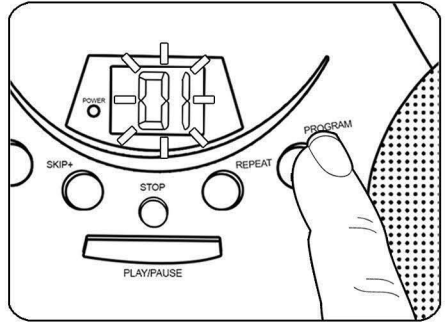
To comply with the **"ERP2" (Energy Related Products) Eco-Design Directive (2009/125/EU)**, who's aim is to reduce the energy consumption of energy-using products; the device automatically switches to standby after approximately 10 minutes without a signal. To use the Boombox again, switch off and on.

PROGRAM

Up to 20 tracks can be programmed for CD play in any order.

Be sure to press the **"STOP"** button before programming

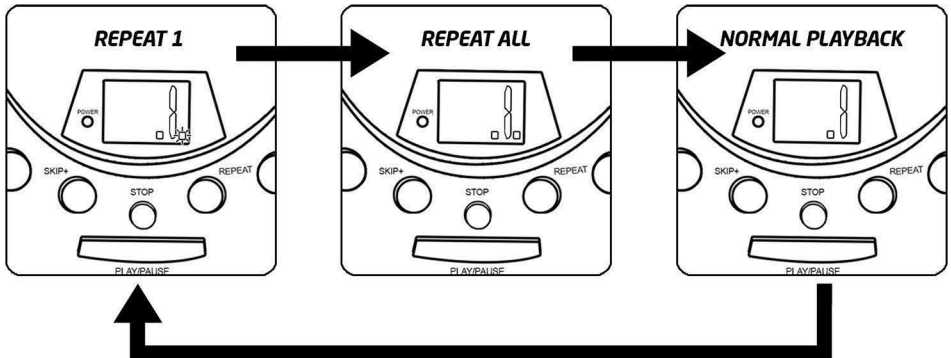
1. Press the **"PROGRAM"** button, the display will show **"01"** and flash.
2. Select the desired track by using the **"SKIP+"** or **"SKIP-"** button.
3. Press the **"PROGRAM"** button again to confirm desired tracks into the program memory.
4. Repeat step 2 and 3 enter additional tracks into the program memory.
5. When all the desired tracks have been programmed. Press the **"PLAY/PAUSE"** button to play the CD in the order you have programmed.
6. Press the **"STOP"** button twice to terminate programmed play and the program indicator will turn off.



REPEAT

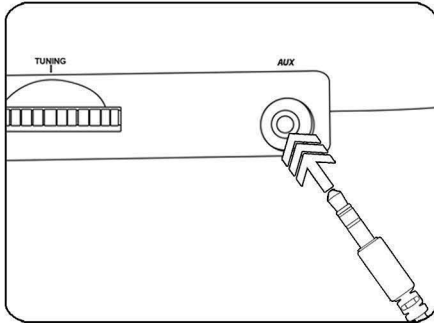
Press the **"REPEAT"** button before or during playing a CD, a single track or all the tracks can be repeated. Each press switches the repeat mode as follows:

- **REPEAT 1** (The repeat indicator flashes).
- **REPEAT ALL** (The repeat indicator stays on).
- **NORMAL PLAYBACK** (The repeat indicator stays off).



AUX-IN

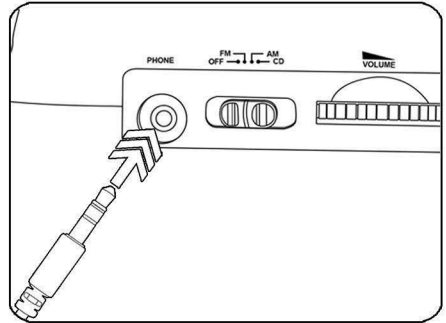
- Connect one end of a 3.5mm AUX-IN cable to the "AUX" socket on Boombox and the other end to your devices 3.5mm output socket.
- Switch the function selector to "CD" "FM" or "AM"
- Press play on your device and enjoy audio through the Boombox speakers



Note: 3.5mm AUX-IN cable not included

HEADPHONE SOCKET

- Connect a 3.5mm headphone plug to the 3.5mm "PHONE" socket on the Boombox
- Connecting the headphones will deactivate the speakers.
- Volume adjustment will affect the sound quality through the headphones.



Note: Turn down the volume before connecting or putting on the headphones to avoid damaging your hearing

TROUBLE SHOOTING

SYMPTOMS	POSSIBLE CAUSE	SOLUTION
Noise or sound distortion on FM broadcasts	Station not tuned properly. Telescopic antenna is not fully extended.	Fine tune the broadcast station. Fully extend the FM telescopic antenna.
AM/FM no sound	Boombox not set to AM/FM Function. Volume at minimum.	Slide function selector to select AM or FM. Increase Volume
Unable to play a CD	Boombox not set to CD Function mode. CD isn't intalled incorrectly	Select CD function mode. Insert CD with label side up.
CD skips while playing	CD is dirty or scratched	Wipe CD with a clean cloth or use another CD.
Intermittent sound from CD player	Dirty or defective CD. Dirt on pick-up lens. CD Player is subject to excessive shock or vibration.	Clean or replace the defective CD. Use a CD-Lens cleaning disc to clean the lens. Relocate the Boombox away from shock or vibration.
Boombox enters STANDBY mode after approximately 10 minutes.	Power saving function enabled.	This is normal operation due to new ECO regulation requirements this product incorporates a power saving feature.

SPECIFICATIONS

Power Supply: AC: 230V- 240V / 50 Hz DC: 9V
Batteries: 6x1.5V "C" Size (UM-2/LR14) (Optional, not supplied)
Output: 1.2W x 2
FM Frequency: 88 MHz to 108 MHz
AM Frequency: 540-1600 KHz



Environment Protection

Waste electrical products should not be disposed of with household waste. Please recycle where facilities exist. Check with your Local Authority or retailer for recycling advice.



GUARANTEE

Subject to the conditions stated below, Groov-e guarantees this equipment against defects in workmanship or materials of its mechanical and electronic component parts (excluding styling, battery cells, magnetic tapes, re-chargeable batteries, user removeable memory devices, with the exception where the battery is built into the product) for a period of one year from the date of purchase. This product will be repaired or if necessary replaced free of charge if it has been proven to be defective within the one year warranty period.

1) Claims under this guarantee should be made through the authorised dealer/retailer from whom the equipment was purchased. If this is not possible, please contact Groov-e directly.

2) This guarantee is only valid when the equipment is purchased and retained within the United Kingdom and a valid proof of purchase has been provided.

3) This Guarantee Excludes:

- (i)** All damage caused through accident, misuse, wear and tear, neglect, installation and/or use in a manner inconsistent with technical and safety standards.
- (ii)** Alterations or adjustments made to equipment
- (iii)** Loss of data resultant from malfunction of hard drive or other storage device
- (iv)** Damage caused to any third party device as a result of using the product

4) No liability under this guarantee shall be incurred:

- (i)** In respect of damage or loss occurring during transit to or from the purchaser
- (ii)** Where the serial number plate of the equipment has been removed or altered in any way.

5) Groov-e shall not be liable for consequential damage, loss or injury arising from or in connection with the equipment, excepting only that nothing in this condition shall or shall be construed so as to exclude or restrict liability for negligence.

6) The cost of carriage to and from Groov-e shall be borne by the purchaser.

7) This guarantee is personal to the original purchaser and is not transferable

8) If the equipment, in respect of which a claim hereunder is made, is found on examination to comply with the published specifications, a test fee may be incurred.

This guarantee is in addition to and does not in any way affect any statutory or other right of consumer purchasers, including those rights in relation to sections 13 to 15 of the Sale of Goods Act 1979, the Sale and Supply of Goods to Consumer Regulations 2002, The Consumer Rights Act 2015 or the Sale of Goods and Supply of Services Act 1980 (for ROI).

DECLARATION OF CONFORMANCE

Groov-e hereby declares that this product is in compliance with the essential requirements and other relevant provisions of the Radio Equipment Directive 2014/53/EU. The complete declaration of conformity can be requested from us at:

Please contact the (UK) office for all product enquires

groov»e

Unit J

Braintree Industrial Estate

Braintree Road

Ruislip

Middlesex

HA4 0EJ (UK)

www.groov-e.co.uk

Email: info@groov-e.co.uk

Telephone: +44 (0)20 8839 0978

Authorised EU Representative

Rashmian EU Ltd

Robwyn House

Suite 3E

Corrintra

Castleblayney

Co. Monaghan

Ireland

Register your purchase for extended warranty

www.groov-e.co.uk/warranty