

groov▶▶e

GV-WM5 Wireless Car Mount



User Manual

In-Car Holder
with Wireless Charging

groov-e.co.uk



30 Day Right To Return

We do not envisage any problems occurring with your Groov-e GV-WM5 Wireless Car Charger. However, for your peace of mind, should any fault occur, please return it within 30 days to your retailer with your proof of purchase for an exchange or refund.



12 Month Guarantee

This product is guaranteed for twelve months. Please retain your receipt as this will be required as proof of purchase, in the event that the device does not perform as expected then please contact your original point of purchase, should you require further assistance then please contact us.



Contact Us

Reach out to us at info@groov-e.co.uk or visit www.groov-e.co.uk

***“Congratulations** on your purchase and **Thank You** for choosing the Groov-e GV-WM5 Wireless Car Charger. Please read the guide carefully before using.”*

SAFETY INSTRUCTIONS

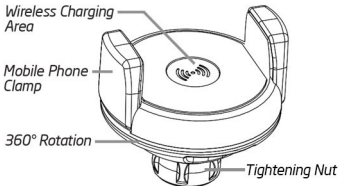
Please read and follow the following instructions when using this product in the car.

- 1. Please ensure that your vehicle is parked with the engine switched off before you attempt to install the mobile mount, insert your device into the mobile mount or try to alter the mobile mount in any way.*
- 2. Please ensure that the mobile mount is not placed in a position that would be adversely affected by the possible deployment of the Air bag of your vehicle in an accident.*
- 3. Please check the installation of the mobile mount on a regular basis to ensure its fixed securely.*

Operating environment and maintenance

- 1. Do not use this product near strong magnetic fields.***
- 2. Do not use unapproved or incompatible power supply's or chargers.***
- 3. Please keep the product dry.***
- 4. Please disconnect the product from its power supply before cleaning***
- 5. To clean please use a dry, clean soft cloth to wipe.***
- 6. For optimal performance please remove your phone's protective case before you place it on the wireless charger.***
- 7. To ensure constant charging, please adjust the phone's position so it is correctly in contact with the sensor area for wireless charging.***

OVERVIEW



Box Contents

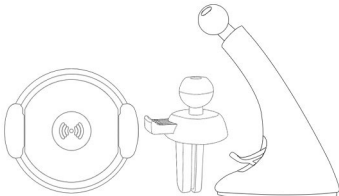
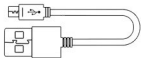
Wireless Charger *1 pc

Window Mount *1 pc

Air Vent Mount *1 pc

Micro USB Cable *1 pc

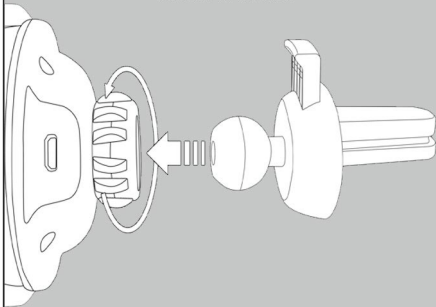
User Manual *1 pc



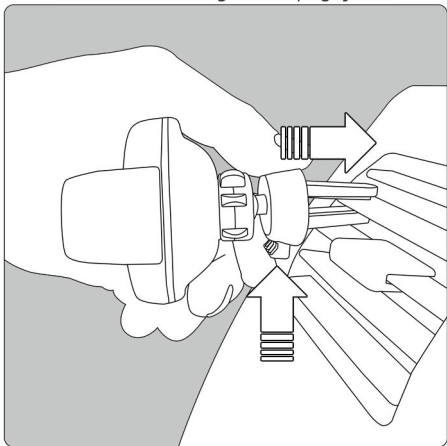
1. Fixing Installation Options

A. Air Vent Mount

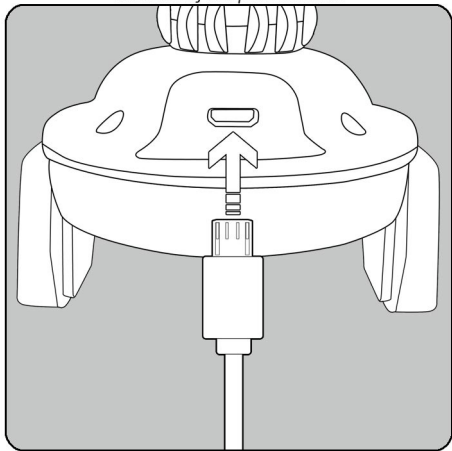
Attach the phones holder to the Air Vent Mount bracket as shown.



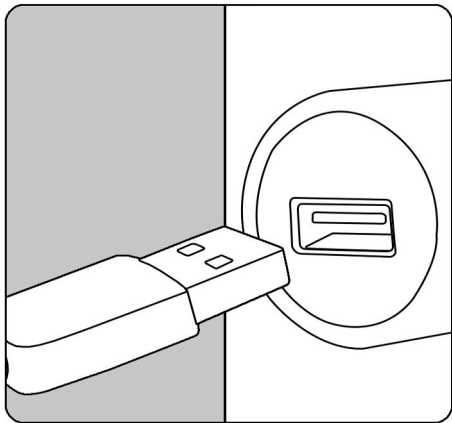
Attach the Air Vent Mount bracket to one of your horizontal vents using the clamping system.



Insert the Micro USB end of the supplied power cable into the base of the phone holder.



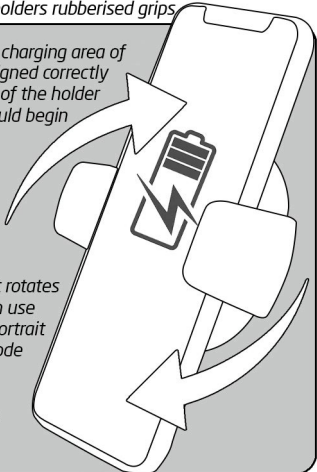
Insert the USB A connector of the cable into a USB Charge Port or a suitable car charger plugged into the vehicles 12v power outlet.



Insert your phone into the holder which is held securely in place by the holders rubberised grips

Ensure that the charging area of the phone is alligned correctly with the centre of the holder your phone should begin to charge.

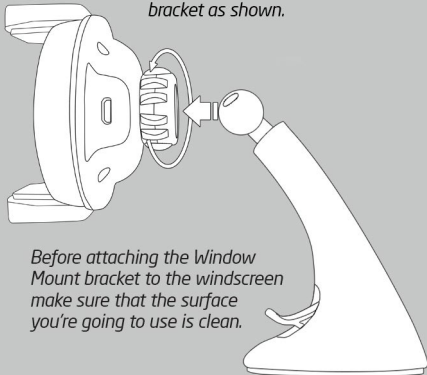
The vent mount rotates 360° so you can use your phone in portrait or landscape mode and adjust the viewing angle easily using the swivel joint.



1. Fixing Installation Options

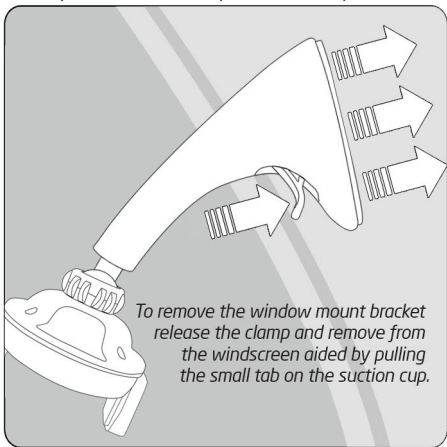
B. Window Mount

Attach the phones holder to the Air Vent Mount bracket as shown.



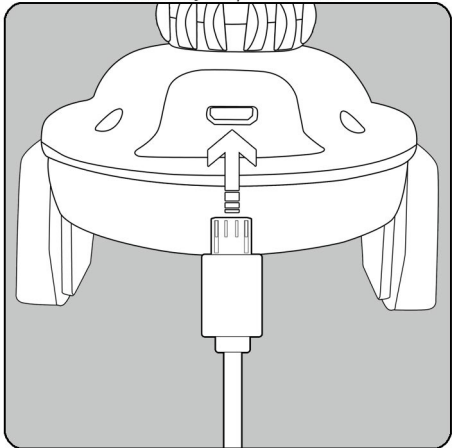
Before attaching the Window Mount bracket to the windscreen make sure that the surface you're going to use is clean.

Place the suction mount against the windscreen and press down the clamp to secure it in place.

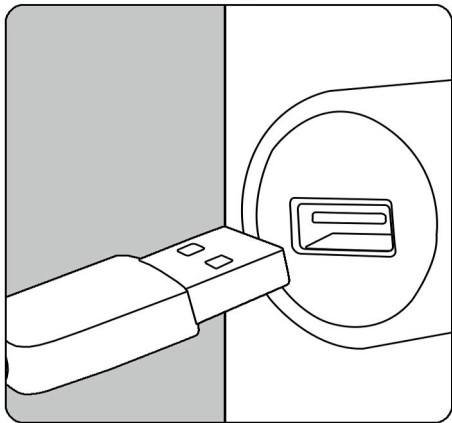


To remove the window mount bracket release the clamp and remove from the windscreen aided by pulling the small tab on the suction cup.

Insert the Micro USB end of the supplied power cable into the base of the phone holder.



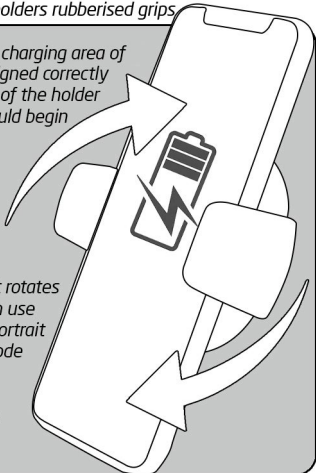
Insert the USB A connector of the cable into a USB Charge Port or a suitable car charger plugged into the vehicles 12v power outlet.



Insert your phone into the holder which is held securely in place by the holder's rubberised grips.

Ensure that the charging area of the phone is aligned correctly with the centre of the holder your phone should begin to charge.

The vent mount rotates 360° so you can use your phone in portrait or landscape mode and adjust the viewing angle easily using the swivel joint.



Specifications

Input: 5V/2A, 9V/2A

Output: 5V/1A, 9V/1.1A

Input Port: Micro-USB



Wireless
Charging (10W)



Suction
Cup



Air Vent
Clip

Wireless Output: 5W, 7.5W, 10W
(10W requires QC3.0 for fast charging)

Fits Devices: 53-97mm (Width)

Environment Protection

Waste electrical products should not be disposed of with household waste. Please recycle where facilities exist. Check with your Local Authority or retailer for recycling advice.



Guarantee

Subject to the conditions stated below, Groov-e guarantees this equipment against defects in workmanship or materials of its mechanical and electronic component parts (excluding styling, battery cells, magnetic tapes, re-chargeable batteries, user removeable memory devices, with the exception where the battery is inbuilt into the product) for a period of one year from the date of purchase. This product will be repaired or if necessary replaced free of charge if it has been proven to be defective within the one year warranty period.

1) Claims under this guarantee should be made through the authorised dealer/retailer from whom the equipment was purchased. If this is not possible, please contact Groov-e directly.

2) This guarantee is only valid when the equipment is purchased and retained within the United Kingdom and a valid proof of purchase has been provided.

3) This Guarantee Excludes:

(i) All damage caused through accident, misuse, wear and tear, neglect, installation and/or use in a manner inconsistent with technical and safety standards.

(ii) Alterations or adjustments made to equipment

(iii) Loss of data resultant from malfunction of hard drive or other storage device

(iv) Damage caused to any third party device as a result of using the product.

- 4) No liability under this guarantee shall be incurred:
- (i) In respect of damage or loss occurring during transit to or from the purchaser
 - (ii) Where the serial number plate of the equipment has been removed or altered in any way.
- 5) Groov-e shall not be liable for consequential damage, loss or injury arising from or in connection with the equipment, excepting only that nothing in this condition shall or shall be construed so as to exclude or restrict liability for negligence.
- 6) The cost of carriage to and from Groov-e shall be borne by the purchaser.
- 7) This guarantee is personal to the original purchaser and is not transferable.
- 8) If the equipment, in respect of which a claim hereunder is made, is found on examination to comply with the published specifications, a test fee may be incurred.

This guarantee is in addition to and does not in any way affect any statutory or other right of consumer purchasers, including those rights in relation to sections 13 to 15 of the Sale of Goods Act 1979, the Sale and Supply of Goods to Consumer Regulations 2002, The Consumer Rights Act 2015 or the Sale of Goods and Supply of Services Act 1980 (for ROI).

DECLARATION OF CONFORMANCE

Groov-e hereby declares that this product is in compliance with the essential requirements and other relevant provisions of the Radio Equipment Directive 2014/53/EU. The complete declaration of conformity can be requested from us at

groov»e

Unit J

Braintree Road

Braintree Industrial Estate

Ruislip

Middlesex

HA4 0EJ

www.groov-e.co.uk

Email: info@groov-e.co.uk

Telephone: 020 8845 7704

Made in China