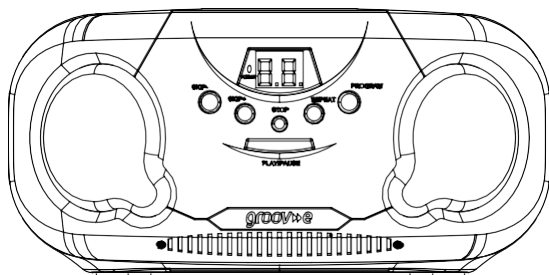


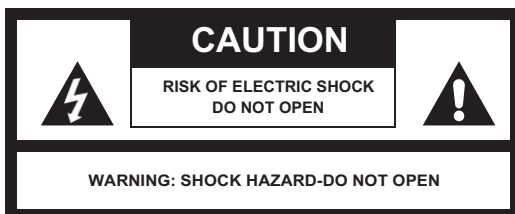
CD/Radio Portable Player



INSTRUCTION MANUAL

WARNING

TO PREVENT FIRE OR SHOCK HAZARD DO NOT EXPOSE THIS APPLIANCE TO RAIN OR MOISTURE.

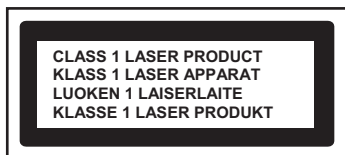


LIGHTNING FLASH WITH ARROWHEAD SYMBOL - within an equilateral triangle, is intended to alert the user to the presence of uninsulated dangerous voltage within the products enclosure that may be of sufficient magnitude to constitute a risk of electric shock to persons.



EXCLAMATION POINT - within an equilateral triangle, is used to indicate that a specific component shall be replaced only by the component specified in that documentation for safety reason.

The following label has been affixed to the unit, listing the proper procedure for working with the laser beam:



CLASS 1 LASER PRODUCT LABEL -

This label is attached to the appliance as illustrated to inform you that the apparatus contains a laser component.



WARNING LABEL INFORMING OF RADIATION -

This label is placed inside the unit. As shown in the illustration. To warn against further measures on the unit. The equipment contains a laser radiating laser rays according to the limit of laser product of class 1.



This equipment is a Class II or double insulated electrical appliance, it does not require a safety connection to electrical earth.

SAFETY INSTRUCTIONS

1. **READ INSTRUCTIONS** - All the safety and operating instructions should be read before the appliance is operated.
2. **WATER AND MOISTURE** - The appliance should not be used near water.
3. **VENTILATION** - The appliance should be situated in a position that does not allow interference with its required ventilation as this may impede the air flow through the ventilation openings.
4. **HEAT** - The appliance should be situated away from heat sources such as radiators, stoves, or other appliances (including amplifiers) that produce heat.
5. **POWER SOURCE** - The appliance should only be connected to a power supply of the type described in the manual or as marked on the appliance.
6. **POWER CORD PROTECTION** – Power supply cords should be routed so that they are not likely to be walked on or pinched by items placed upon or against them.
7. **POWER LINES** – An outdoor antenna should be located away from power lines.
8. **ESD WARNING** - If the display does not function properly or there is no response from the controls this may be due to electrostatic discharge, please try switching off and unplugging the appliance and then reconnecting it to your power source after 30 seconds.
9. **DAMAGE REQUIRING SERVICE** – The appliance should be serviced by qualified service personnel when:
 - a. The power supply cord or plug has been damaged.
 - b. Objects have fallen into, or liquid has been spilled into the appliance enclosure.
 - c. The appliance has been exposed to rain.
 - d. The appliance has been dropped, or the enclosure damaged.
 - e. The appliance does not appear to operate normally.
10. **SERVICING**

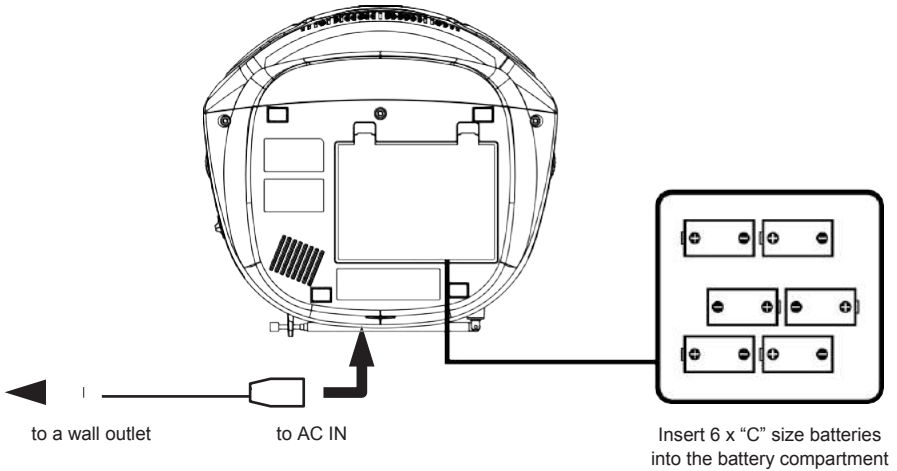
If an error display or malfunction occurs switch the appliance off and disconnect the power cord or remove the batteries and then reconnect to your power source and switch the appliance back on.

BEFORE OPERATION

Please take care as dirty, damaged or warped CD's may damage the appliance, care should be taken and only use CD's with the marks shown below



POWER SOURCES



AC POWER

You can power your portable system by plugging the detachable AC power cord into the AC inlet at the back of the unit and into a wall AC power outlet. Check that the rated voltage of your appliance matches your local voltage. Make sure that the AC power cord is fully inserted into the appliance.

Power Source
AC 230V ~ 50Hz, DC: 9V

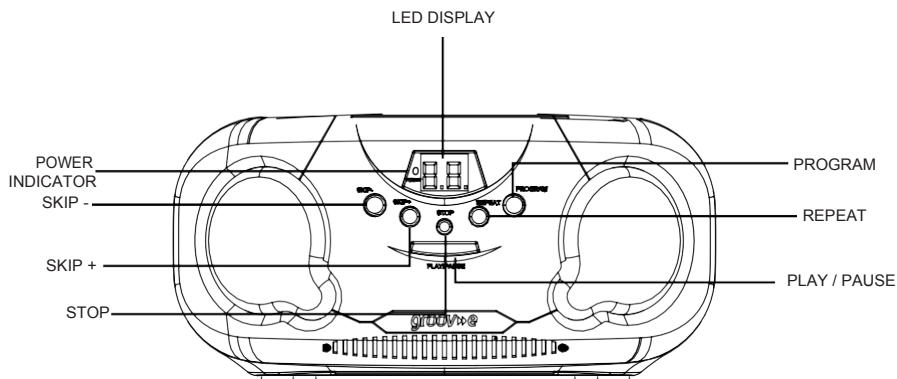
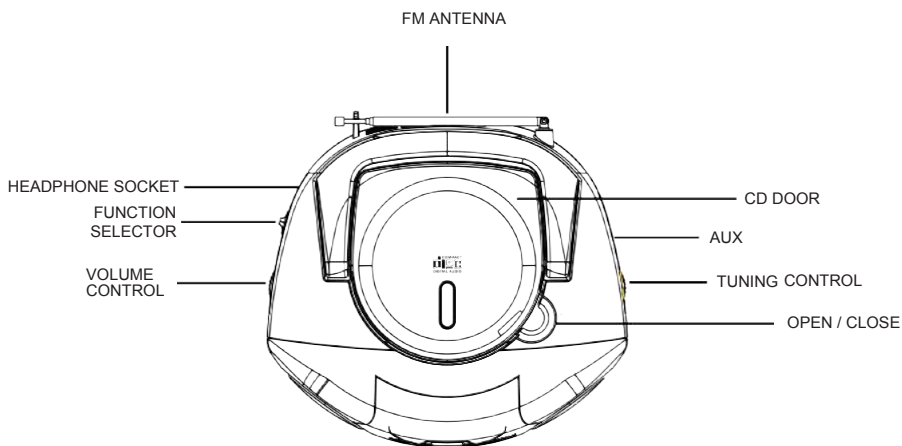
BATTERY POWER

Insert 6 × "C" size batteries into the battery compartment. Ensure that the batteries are inserted correctly to avoid any damage to the appliance. Always remove the batteries when the appliance is not being used for a long period of time to avoid possible leakage from the batteries and subsequent damage to your appliance

Notes:

- Use batteries of the same type. Never use different types of batteries together.
- To use the appliance with batteries, disconnect the AC power cord from it.

LOCATION OF CONTROLS



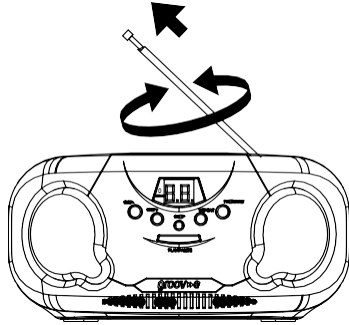
RADIO OPERATION

GENERAL OPERATION

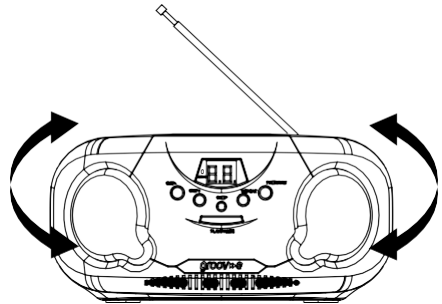
1. Select the radio band by using the “FUNCTION” selector.
2. Adjust the radio frequency to your desired station by using the “TUNING” control.
3. Adjust the “VOLUME” control to the preferred level.

FOR BETTER RECEPTION

- Reorient the antenna for better reception.

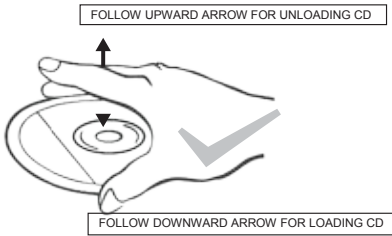


- Reorient the appliance to get better AM reception.

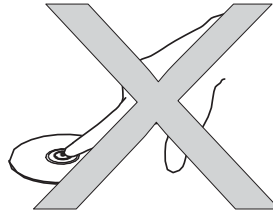


CD OPERATION

USEFUL TIPS FOR LOADING & UNLOADING A CD



FOLLOW THE ARROW DIRECTIONS FOR LOADING/UNLOADING THE CD.



DO NOT PRESS THE CD TRAY FROM THE MIDDLE TO UNLOAD A CD THIS COULD DAMAGE THE CD MECHANISM.

GENERAL OPERATION

PLAY / PAUSE ►||

Press to start playing CD.

Press again to stop playing CD operation temporarily.

Press again to resume playback.

SKIP + ►► &

Press to go to the next track or back to the previous track.

SKIP - ◀◀

Press and hold while playing until you find the point of the sound.

STOP ■

Press to stop all CD operation.

AUTOMATIC STANDBY SWITCHING

To comply with the “ERP2 (Energy Related Products)” Eco-design Directive (2009/125/EG), its aim is to reduce the energy consumption of energy-using products; the device automatically switches to standby after approx. 10 minutes without a signal. To use the device again, switch the device off and then on again.

PLAYBACK

1. Set the “FUNCTION” selector to “CD” mode.
2. Open the CD door and place a CD with the label up in the CD compartment.
3. Close the CD door.
4. A focus search is performed if a disc is inside. The total number of tracks is read and appears in the display.
5. Press the “PLAY / PAUSE” button to start playing CD.
6. Adjust the “VOLUME” control to the desired level.
7. Press the “PLAY / PAUSE” button again when you want to stop playback temporarily.
8. Press the “STOP” button when finished.

CD OPERATION

PROGRAM

Up to 20 tracks can be programmed for disc play in any order.

Be sure to press the "STOP" button before use.

1. Press the "PROGRAM" button, the display will show "01" and flash.
2. Select desired track by using the "SKIP +" or "SKIP -" button.
3. Press the "PROGRAM" button again to confirm desired track into the program memory.
4. Repeat step 2 and 3 to enter additional tracks into the program memory.
5. When all the desired tracks have been programmed. Press the "PLAY / PAUSE" button to play the disc in the order you have programmed.
6. Press the "STOP" button twice to terminate programmed play and the program indicator will turn off.

REPEAT

Press the "REPEAT" button before or during playing CD, a single track or all the tracks can be repeated.

Each press switches the repeat mode as follows:

- 1 - REPEAT 1 (The repeat indicator is flashing.)
- 2 - REPEAT ALL (The repeat indicator is steadily on.)
- 3 - NORMAL PLAYBACK



OTHER FEATURES

AUX-IN

1. Connect a 3.5 mm Aux-in cable to this appliance and your devices 3.5 mm output socket.
2. Switch the function selector to CD or Radio.
3. Press play on your device and enjoy.

NOTE: (3.5 mm Aux-in cable is not included)

HEADPHONE SOCKET

1. Connecting the headphones will deactivate the speakers.
2. Sound adjustments also affect the sound through the headphones.

NOTE: Turn down the volume before connecting or putting on the headphones.

TROUBLE SHOOTING

Symptoms	Possible cause	Solution
Noise or sound distorted on FM broadcast	Station not tuned properly. Telescopic antenna is not fully extended	Fine tune the FM broadcast station. Fully extend the FM telescopic antenna
AM/FM no sound	Unit not in Tuner mode i.e. AM or FM band. Volume at minimum.	Slide function selector to select AM or FM. Increase volume
Unable to play a CD	Unit not in CD function mode. CD is installed incorrectly.	Select CD function mode. Insert CD with label side up.
CD skips while playing	Disc is dirty or scratched.	Wipe CD with clean cloth or use another disc.
Intermittent sound from CD player	Dirty or defective disc. Dirty pick up lens. Player is subject to excessive shock or vibration.	Clean or replace the defective disc. Use a CD-lens cleaning disc to clean the lens. Relocate the player away from shock or vibration.
Unit enters STANDBY mode after 10 minutes (approx.).	Power saving function enabled	This is normal operation due to new ECO regulation requirements this product incorporates a power saving feature.

SPECIFICATION

Power adaptor: Input AC230-240V/50Hz

Batteries: 6x1.5 "C" size (UM-2/LR14)
(Optional, not supplied)

Output: 1.2W x 2RMS

FM Frequency: 88MHz to 108 MHz

AM Frequency: 540-1600KHz

SERVICE & SUPPORT

If your device is not performing as expected, please contact your original point of purchase (ensure that you have your warranty or proof of purchase available).

The warranty period is 12 months from date of purchase.

Should you need further assistance, please contact us directly: info@groov-e.co.uk.

groov>e

Unit J, Braintree Industrial Estate
Braintree Road
Ruislip
Middlesex HA4 0EJ
UK
www.groov-e.co.uk



Environmental Protection

Waste electrical products should not be disposed of with household waste. Please recycle where facilities exist. Check with your Local Authority or retailer for recycling advice.

