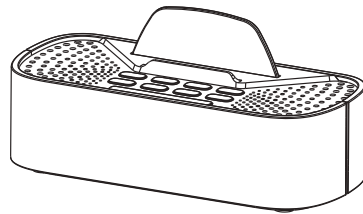


# OPERATING INSTRUCTIONS

groov>e



**Clock Radio  
With USB Charger**  
**MODEL: GV-SP406**



The lightning flash and arrowhead within the triangle is a warning sign alerting you of "dangerous voltage" inside the product.

**CAUTION**

RISK OF ELECTRIC SHOCK  
DO NOT OPEN

**WARNING:**

To reduce the risk of electric shock, do not remove cover (or back). No user-serviceable parts inside. Refer servicing to qualified service personnel.



**CAUTION:**

The exclamation point within the triangle is a warning sign alerting you of important instructions accompanying the product.

**WARNING:**

TO REDUCE THE RISK OF FIRE OR ELECTRIC SHOCK, DO NOT EXPOSE THIS APPLIANCE TO DRIPPING OR SPLASHING LIQUIDS.

THE AC/DC ADAPTOR IS USED AS THE DISCONNECT DEVICE AND IT SHALL REMAIN READILY OPERABLE. TO COMPLETELY DISCONNECT THE POWER INPUT, THE AC/DC ADAPTOR OF THE APPARATUS MUST BE DISCONNECTED FROM THE MAINS COMPLETELY. THE AC/DC ADAPTOR SHOULD NOT BE OBSTRUCTED OR SHOULD BE EASILY ACCESSED DURING INTENDED USE.

**PLEASE NOTE:** YOU WILL FIND THE RATING LABEL FOR THIS PRODUCT LOCATED ON THE BOTTOM OF THE UNIT.



**CAUTION**

DO NOT EXPOSE TO DRIPPING OR SPLASHING LIQUIDS!

**CAUTION:** GROUNDING OR POLARIZATION, THE PRECAUTIONS SHOULD BE TAKEN SO THAT THE WIDER BLADE OF THE AC PLUG MUST MATCH THE SLOT IN RECEPTACLE "WALL SOCKET".

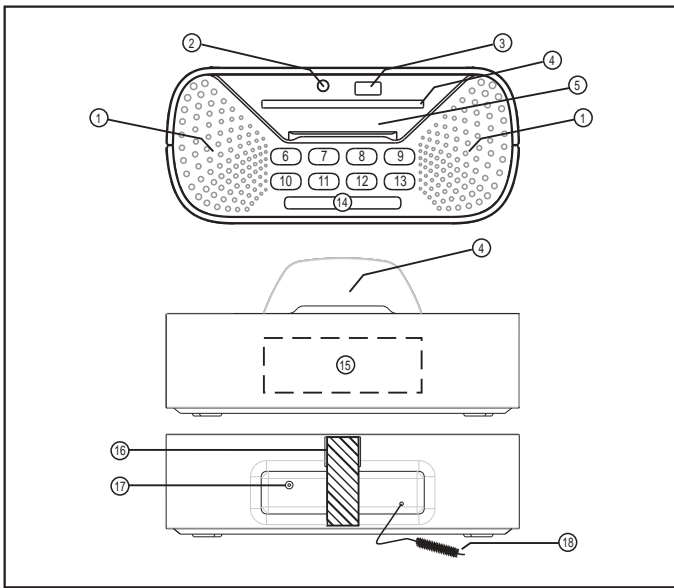
**NOTE:** CAUTION SYMBOLS ARE PRINTED ON BOTTOM OF UNIT. PLEASE REFER TO INSTRUCTION MANUAL.

THE APPARATUS SHOULD NOT BE EXPOSED TO DRIPPING OR SPLASHING AND NO OBJECTS FILLED WITH LIQUIDS SHOULD BE PLACED ON THE APPARATUS.

THE MARKING AND RATING LABEL IS LOCATED AT BOTTOM ENCLOSURE OF THE APPARATUS.

UNDER THE INFLUENCE OF ELECTROSTATIC PHENOMENON, THE PRODUCT MAY MALFUNCTION AND USER TO POWER RESET.

- KEEP MINIMUM DISTANCES (5cm) AROUND THE APPARATUS OF SUFFICIENT VENTILATION.
- NO NAKED FLAME SOURCES, SUCH AS LIGHTED CANDLES, SHOULD BE PLACED ON THE APPARATUS.
- THE USE OF APPARATUS IN MODERATE CLIMATES.



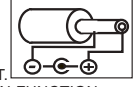
**LOCATION OF CONTROLS**

- |   |                               |
|---|-------------------------------|
| 1. SPEAKER  | 9. ON/ OFF KEY                |
| 2. AUX INPUT SOCKET                                     | 10. VOL - / AL. MODE KEY      |
| 3. USB SOCKET<br>(DC CHARGER: 5V/1000mA)                | 11. VOL + / CLK. SET KEY      |
| 4. DEVICE REAR SUPPORT STAND                            | 12. FUNCTION KEY              |
| 5. SLOT FOR PLACING YOUR DEVICE<br>(SMARTPHONE/ TABLET) | 13. FM MODE KEY               |
| 6. BACK KEY   | 14. SNOOZE/ DIMMER KEY        |
| 7. NEXT KEY   | 15. LED DISPLAY               |
| 8. MEMORY KEY   | 16. MAGIC TAPE                |
|   | 17. DC JACK (DC 5V --- --C +) |
|   | 18. FM ANTENNA WIRE           |

**POWER SUPPLY**

**AC OPERATION (EXTERNAL AC-DC POWER ADAPTOR)**

- THIS SET IS EQUIPPED WITH A "DC-JACK" CAPABLE OF ACCEPTING AC-ADAPTORS WITH A RATING OF DC = 5V, 1.5A, AND WITH A PLUG WITH THE FOLLOWING POLARITIES AS SHOWN (CENTER POSITIVE) :
- PLEASE USE ONLY THE SUPPLIED AC-ADAPTOR TO OPERATE THE UNIT. USE OF OTHER ADAPTORS MAY DAMAGE THE UNIT OR CAUSE IT TO MALFUNCTION.
- PLUG THE TAIL END OF THE AC-ADAPTOR INTO THE DC-JACK (SOCKET) ON THE REAR OF THE UNIT.
- INSERT THE PLUG OF THE AC-ADAPTOR INTO A WALL OUTLET WITH AC-POWER.
- PRESS THE "ON/ OFF" KEY TO SWITCH ON THE UNIT.
- THIS UNIT IS DESIGNED TO OPERATE WITHOUT EVER BEING TOTALLY POWERED "OFF". IT WILL EITHER BE "ON" OR IN "STANDBY MODE".
- IN STANDBY MODE, THE BACK-LIGHT OF THE DIGITAL DISPLAY WILL BE DIMMED BUT THE DISPLAY WILL SHOW THE CURRENT TIME (CLOCK FUNCTION).
- ANYTIME DURING STANDBY MODE, YOU CAN SWITCH "ON" THE UNIT BY PRESSING THE "ON/ OFF" KEY.
- SAVE ENERGY BY SWITCHING THE SYSTEM TO "STANDBY" MODE WHEN NOT IN USE.



**DIMMER FUNCTION**

THIS SET HAS A DIMMER FUNCTION TO ADJUST THE BRIGHTNESS LEVEL OF THE DISPLAY BACKLIGHT. SIMPLY ADJUST IT AS DESIRED BY PRESSING THE SNOOZE/ DIMMER KEY REPEATEDLY (LOW-BRIGHTNESS/ HI-BRIGHTNESS / OFF) THE DISPLAY BACKLIGHT WILL ALWAYS RETURN TO LOW-BRIGHTNESS AS THE DEFAULT, AFTER THE UNIT BEEN RESET.

**DIGITAL CLOCK FUNCTION**

- THE SET HAS A BUILT-IN DIGITAL CLOCK.  
(THE DISPLAY WILL CONTINUOUSLY SHOW THE CURRENT TIME).

**HOW TO SET CORRECT TIME:**

1.	SWITCH UNIT TO "STAND-BY" MODE
2.	PRESS & HOLD [CLK SET] KEY FOR 3 SECONDS DISPLAY SHOWS 12:00 HOUR OR 2:00 HOUR (FLASHING)
3.	PRESS [BACK] OR [NEXT] KEY TO SELECT 12-HOUR OR 24-HOUR CLOCK DISPLAY SYSTEM & PRESS [CLK SET] KEY TO CONFIRM YOUR SELECTION.
4.	PRESS [BACK] OR [NEXT] KEY REPEATEDLY TO SET THE CORRECT HOUR IN THE DISPLAY & PRESS [CLK SET] KEY TO CONFIRM.
5.	PRESS [BACK] OR [NEXT] KEY REPEATEDLY TO SET THE CORRECT MINUTE IN THE DISPLAY & PRESS [CLK SET] KEY TO CONFIRM
6.	CORRECT TIME IS NOW SET & WILL BE SHOWN IN THE DISPLAY.

## ALARM FUNCTION

- THIS SET IS EQUIPPED WITH 2 ALARM MODES: BUZZER AND RADIO.  
BEFORE SETTING THE ALARM, MAKE SURE TO SET THE CLOCK (SEE "DIGITAL CLOCK FUNCTION" IN THE PREVIOUS SECTION) .

### PREPARE FOR THE ALARM SETTINGS "ALARM" TIME SETTING

1. PRESS THE [ON/OFF] KEY TO PUT THE SET INTO "STANDBY" MODE
2. PRESS AND HOLD [AL. MODE] KEY UNTIL THE DISPLAY WILL NOW SHOW:



3. PRESS [BACK] OR [NEXT] KEY TO REACH THE HOUR OF THE DESIRED WAKE UP TIME THEN PRESS [AL. MODE] KEY TO CONFIRM. THE DISPLAY WILL NOW SHOW:




4. PRESS [BACK] OR [NEXT] KEY TO REACH THE MINUTES OF THE DESIRED WAKE UP TIME, THEN PRESS THE [AL. MODE] KEY TO CONFIRM.
5. SELECT THE SOURCE **BU** OR **FM STATION** BY PRESS THE BACK OR NEXT KEY. \*REMARK: **BU** = BUZZER ALARM OR **FM STATION** = DISPLAY SHOWN THE STATION FREQUENCY.
6. ADJUST THE VOLUME LEVEL AS DESIRED (FROM LEVEL 03-16) BY PRESSING [VOL. UP +] OR [VOL. DN -] KEY. PRESS THE [AL. MODE] KEY TO CONFIRM.
7. THE ALARM TIME IS NOW FULLY PROGRAMMED AND THE TIMER INDICATOR WILL KEEP LIT THAT THE ALARM FUNCTION IS "ACTIVE". (DISPLAY SHOWS AS FOLLOWS)



8. THE SET WILL NOW AUTOMATICALLY SWITCH "ON" AT THE WAKE-UP TIME AS YOU HAVE CHOSEN, AS LONG AS THE ALARM FUNCTION IS "ACTIVE".
9. TO TURN OFF THE UNIT AFTER IT HAS AUTOMATICALLY SWITCHED ON, SIMPLY PRESS THE [ON/OFF] KEY ONCE. THIS WILL SWITCH OFF THE SET BUT WILL NOT CLEAR THE ALARM SETTINGS, AND THE SET WILL SWITCH ON AGAIN AUTOMATICALLY ON THE NEXT DAY AT EXACTLY THE SAME PRESET TIME.


E-5

10. TO DEACTIVATE THE ALARM, PRESS & RELEASE THE [AL. MODE] KEY. THE  INDICATOR DISAPPEARS FROM THE DISPLAY.
11. TO ACTIVATE THE ALARM AGAIN, REPEAT THE PROCEDURE OF "ALARM TIME SETTING" AS DESCRIBED.

## SNOOZE FUNCTION

- WHENEVER THE ALARM COMES ON, IT CAN BE TEMPORARILY SUSPENDED FOR A SHORT PERIOD OF 9 MINUTES, BY PRESSING THE "SNOOZE/DIMMER" KEY ONCE.
- THE ALARM WILL THEN AUTOMATICALLY COME ON AGAIN AFTER THE 9 MINUTES "SNOOZE" PERIOD HAS ENDED.
- THE PROCEDURE CAN BE REPEATED FOR APPROXIMATELY 90 MINUTES FROM ORIGINAL ALARM WAKE-UP TIME.

## AUTOMATIC POWER OFF SLEEP FUNCTION

- THIS SET HAS A SPECIAL SLEEP TIMER FUNCTION WHICH CAN AUTOMATICALLY SWITCH OFF THE UNIT. THIS IS USEFUL FOR SLEEPING TO MUSIC AT NIGHT.
- AT ANY TIME WHILE THE UNIT IS OPERATING, PRESS & HOLD THE [SNOOZE/DIMMER] KEY UNTIL THE  INDICATOR, THEN PRESS THE [SNOOZE/DIMMER] KEY REPEATEDLY TO CHOOSE THE AUTOMATIC POWER OFF TIME.



(\*OFF MEANS SLEEP TIMER IS DEACTIVATED)

## USING THE AUDIO LINE IN CONNECTION (AUX-INPUT)

- YOU CAN CONNECT THE AUDIO OUTPUT OF AN EXTERNAL DEVICE SUCH AS A MP3 PLAYER TO THIS UNIT, TO LISTEN TO THE SOUND OF THAT DEVICE THROUGH THE HIGH QUALITY OUTPUT OF THIS MUSIC SYSTEM.
- TO CONNECT THE EXTERNAL DEVICE PLEASE USE A STANDARD STEREO HEADPHONE (3.5MM TO 3.5MM PLUGS) CABLE TO CONNECT THE "HEADPHONE-OUT OR AUDIO LINE-OUT" OF THE DEVICE TO THE AUX-INPUT SOCKET OF THIS UNIT.
- SELECT THE FUNCTION TO "AU" BY PRESSING THE FUNCTION KEY, THE AUX INDICATION LIT.
- SWITCH ON THE EXTERNAL DEVICE (eg. MP3-PLAYER).
- START PLAYBACK OF THE EXTERNAL DEVICE AND ADJUST THE VOLUME CONTROL OF THE UNIT TO THE DESIRED LEVEL.
- REMEMBER TO SWITCH OFF THE UNIT AND THE EXTERNAL DEVICE WHEN YOU ARE FINISHED USING THE EXTERNAL DEVICE.

E-6

### **ELECTRONIC VOLUME CONTROL**

- THIS UNIT USES AN ELECTRONIC VOLUME CONTROL (PUSH BUTTON TYPE) .
- TO INCREASE OR DECREASE THE LOUDNESS OF UNIT, PRESS THE VOLUME UP (VOL +) OR VOLUME DOWN (VOL -) KEYS RESPECTIVELY.
- RELEASE THE KEY WHEN VOLUME LEVEL IS AT THE DESIRED LOUDNESS.
- SOMETIMES, ESPECIALLY DURING LISTENING TO THE RADIO, YOU MAY NOTICE A "CLICK-CLICK-CLICK" (REPEATING) SOUND WHEN YOU ARE INCREASING OR DECREASING THE VOLUME. THIS IS A NORMAL CONDITION & THE SOUND WILL DISAPPEAR WHEN YOU RELEASE THE VOLUME KEY (WHEN YOU REACH THE DESIRED VOLUME LEVEL).

### **OPERATION OF RADIO**

- PRESS THE "ON/ OFF" KEY ONCE TO SWITCH ON THE UNIT.
- PRESS THE [FUNCTION] KEY REPEATEDLY UNTIL THE DISPLAY SHOWS RADIO FREQUENCY.
- EXTEND AND ADJUST THE FM-WIRE ANTENNA TO OBTAIN THE BEST RECEPTION.
- USE THE [FM MODE] KEY TO SELECT THE DESIRED MODE (STEREO/ MONO).  
IN SOME CASES, WHERE RECEPTION IS POOR, IT MAY BE ADVISABLE TO SELECT "MONO" MODE, TO IMPROVE CLARITY OF THE RADIO SIGNAL.

### **MANUAL FREQUENCY ADJUSTMENT (SCAN MODE)**

- PRESS (AND IMMEDIATELY RELEASE) THE [BACK] OR [NEXT] KEYS TO "SCAN" (MANUALLY ADJUST) THE RADIO FREQUENCY "UP" OR "DOWN" BY 1-STEP AT A TIME.
- THE RADIO DIGITAL DISPLAY WILL INDICATE THE EXACT FREQUENCY AT EACH STEP'S POSITION.
- WHEN A DESIRED FREQUENCY OR STATION IS REACHED, IT CAN BE SAVED INTO ONE OF THE "MEMORY" POSITIONS. (SEE "RADIO MEMORY" SECTION).

### **AUTOMATIC FREQUENCY ADJUSTMENT (SEEK MODE)**

- PRESS AND HOLD (FOR 2 SECONDS) THE [BACK] OR [NEXT] KEYS TO "SEEK" (AUTOMATICALLY ADJUST) THE RADIO FREQUENCY "UP" OR "DOWN" TO THE NEXT AVAILABLE RADIO STATION.
- THE RADIO DIGITAL DISPLAY WILL INDICATE THE EXACT FREQUENCY OF THE NEXT STATION THAT IS FOUND.
- WHEN A DESIRED STATION IS REACHED, IT CAN BE SAVED INTO ONE OF THE "MEMORY" POSITIONS. (SEE "RADIO MEMORY" SECTION).

### **RADIO MEMORY (STATION PRESET MEMORY STORAGE)**

- AT ANY TIME, THE CURRENTLY DISPLAYED STATION OR FREQUENCY CAN BE STORED INTO ONE OF THE MEMORY POSITIONS.
- PRESS [MEMORY] KEY UNTIL "P01" FLASHES IN THE DISPLAY.
- PRESS [BACK] OR [NEXT] KEYS TO SELECT DESIRED MEMORY POSITION. (THERE ARE TOTAL 20 MEMORY POSITIONS).
- PRESS [MEMORY] KEY ONCE TO SAVE THE SELECTED STATION INTO THE SELECTED MEMORY POSITION.
- TO RECALL ANY SAVED MEMORY, SIMPLY PRESS [MEMORY] KEY ONCE THEN SELECT THE MEMORY POSITIONS BY PRESSING [BACK] OR [NEXT] KEYS THE SAVED RADIO-BAND WILL BE RECALLED.
- TO CLEAR THE MEMORY OF ANY POSITION, SIMPLY SAVE A NEW STATION TO THE SAME MEMORY POSITION.

E-7

### **USB CHARGING FUNCTION**

THIS UNIT IS EQUIPPED WITH A DC 5V USB CHARGING PORT ON THE TOP PANEL. TO UTILIZE THIS FEATURE, SIMPLY CONNECT THE DEVICE YOU WOULD LIKE TO CHARGE (eg. SMARTPHONE OR TABLET) TO A SUITABLE USB CABLE AND PLUG IT INTO THE USB CHARGING PORT. (THIS FUNCTION IS ONLY ACTIVE WHEN THE UNIT IS PLUGGED INTO AN AC ADAPTOR). THE EXTERNAL DEVICE WILL BE CHARGED AUTOMATICALLY WHEN IT IS SUCCESSFULLY CONNECTED, EVEN DURING PLAYBACK.

### **SPECIFICATIONS**

POWER SUPPLY : ..... DC 5V, 1.5A THROUGH BUILT-IN DC JACK  
EXTERNAL AC-DC POWER ADAPTOR 100V-240V ~ 50/60Hz  
SPEAKER : ..... SPEAKER 2" x 2  
FREQUENCY : ..... FM 87.5 - 108 MHz

### **ENVIRONMENTAL PROTECTION**

WASTE ELECTRICAL PRODUCT SHOULD NOT BE DISPOSED OF WITH HOUSEHOLD WASTE. PLEASE RECYCLE WHERE FACILITIES EXIST. CHECK WITH YOUR LOCAL AUTHORITY OR RETAILER FOR RECYCLING ADVICE.



**groov»e**

Unit J, Braintree Road, Ruislip HA4 0EJ  
[www.groov-e.co.uk](http://www.groov-e.co.uk)

E-8